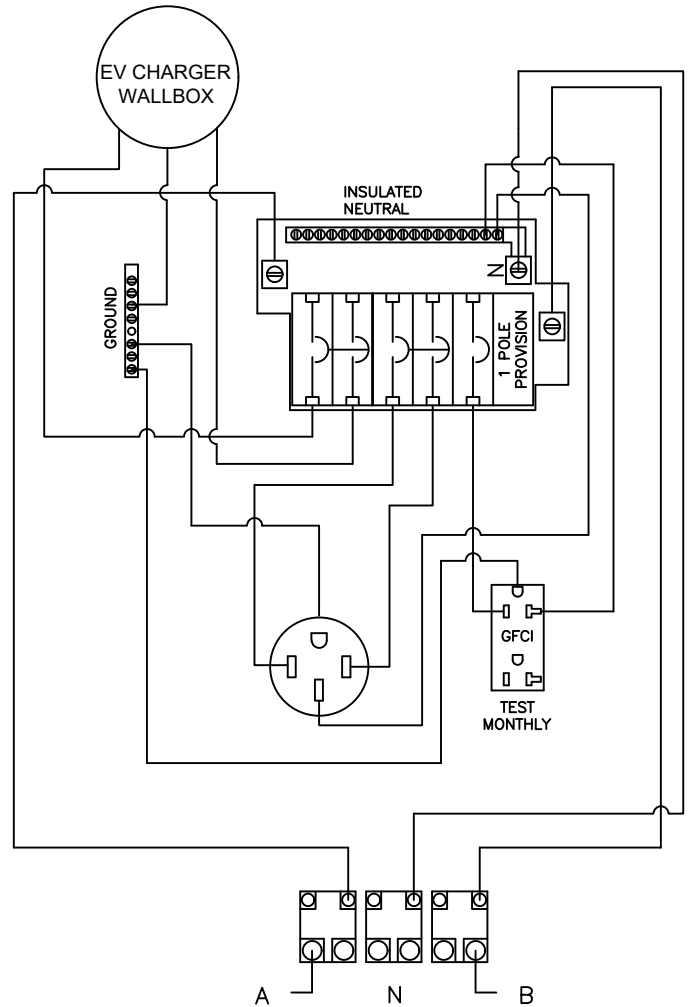
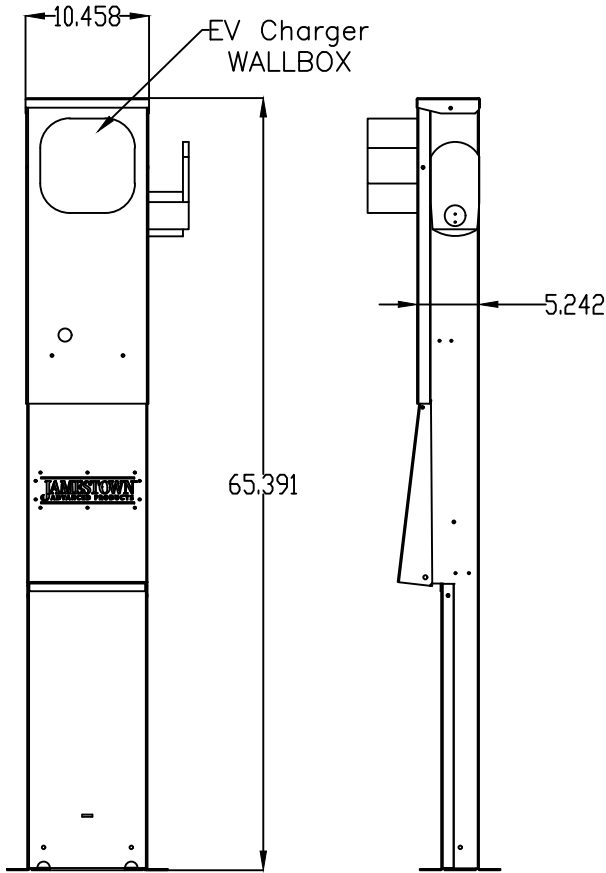


EV Charger Features:  
 WallBox Pulsar 40 A 208-250 V AC (UL Listed) Level 2  
 NEMA Type 4  
 25-foot EV cord  
 Weight = 71lbs

Enclosure features:  
 ETL certified  
 NEMA type 3R rainproof enclosure.  
 120/240 V single phase (2 Hot + neutral + ground)  
 120 Amp rated current  
 Commercial quality receptacles  
 Loop feed lugs on all pedestals up to 350 MCM wire. Tin plated copper stabs standard.  
 All units factory wired.  
 Main box is 10" wide.  
 One piece construction from G90 galvanized steel.  
 All surfaces have electrostatic gray powder coated finish.



PLEASE REVIEW THE DIAGRAMS AND SIGN AND DATE BELOW. ALL DRAWINGS ARE THE PROPERTY OF JAMESTOWN ADVANCED PRODUCTS. DISTRIBUTION OF DRAWINGS WITHOUT THE CONSENT OF JAMESTOWN ADVANCED PRODUCTS IS PROHIBITED.

**WARNING: MUST BE PERMANENTLY MOUNTED**

CUSTOMER APPROVAL :

DATE :

**JAMESTOWN**  
 ADVANCED  
 PRODUCTS  
 CORPORATION

THIS DRAWING, WHICH CONTAINS PROPRIETARY INFORMATION, IS THE PROPERTY OF JAMESTOWN ADVANCED PRODUCTS CORPORATION. IT SHALL NOT BE REPRODUCED IN ANY MANNER NOR DISCLOSED TO THIRD PARTIES WITHOUT WRITTEN PERMISSION OF JAMESTOWN ADVANCED PRODUCTS CORPORATION.

DATE : 04/14/22

PRODUCT PART NUMBER : PEVCH-52-PAD-NL

REV. NO. B

PRODUCT DESCRIPTION :  
 WALLBOX EV CHARGER- PAD MOUNT CONFIGURATION  
 WITH RECEPTACLES

2855 GIRTS ROAD  
 JAMESTOWN, NY 14701

PHONE 800-452-0639 -- FAX 716-483-5398 -- WWW.JAMESTOWNADVANCED.COM